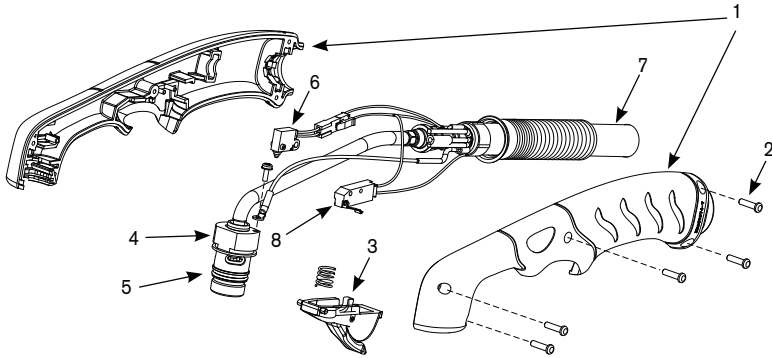


powermax 105[®]

Duramax 75° and Duramax 15° hand torch assemblies

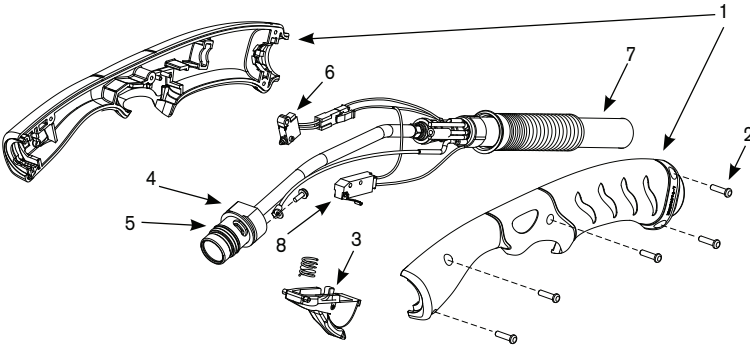


Duramax 75° hand torch assembly

Part number	Description
059473*	Duramax 75° hand torch assembly with 7.6 m (25') lead
059474*	Duramax 75° hand torch assembly with 15.2 m (50') lead
059475*	Duramax 75° hand torch assembly with 22.8 m (75') lead
1. 228717	Kit: Duramax 75°/HRT Torch handle replacement
2. 075714	Handle screws, #4 x 1/2 slotted TORX pan head, S/B
3. 228721	Kit: Duramax 75°/Duramax 15°/HRT/HRTs (spring and trigger assembly)
4. 228958	Kit: Duramax 75° Torch main body replacement
5. 058519	O-ring
6. 228719	Kit: Duramax 75° Cap-sensor switch replacement
7. 228959	Kit: Duramax 75° Torch lead replacement, 7.6 m (25')
7. 228960	Kit: Duramax 75° Torch lead replacement, 15.2 m (50')
7. 228961	Kit: Duramax 75° Torch lead replacement, 22.8 m (75')
8. 005252	Trigger start switch
223254†	Kit: 105 A Work lead with hand clamp, 7.6 m (25')

*Assembly includes one set of consumables.

†Other work lead options available.



Duramax 15° hand torch assembly

Part number	Description
059470*	Duramax 15° hand torch assembly with 7.6 m (25') lead
059471*	Duramax 15° hand torch assembly with 15.2 m (50') lead
059472*	Duramax 15° hand torch assembly with 22.8 m (75') lead
1. 228718	Kit: Duramax 15° Torch handle replacement
2. 075714	Handle screws, #4 x 1/2 slotted TORX pan head, S/B
3. 228721	Kit: Duramax 15°/Duramax 75°/HRT/HRTs (spring and trigger assembly)
4. 228957	Kit: Duramax 15° Torch main body replacement
5. 058519	O-ring
6. 228109	Kit: Duramax 15° Cap-sensor switch replacement
7. 228959	Kit: Duramax 15° Torch lead replacement, 7.6 m (25')
7. 228960	Kit: Duramax 15° Torch lead replacement, 15.2 m (50')
7. 228961	Kit: Duramax 15° Torch lead replacement, 22.8 m (75')
8. 005252	Trigger start switch
223254†	Kit: 105 A Work lead with hand clamp, 7.6 m (25')

*Assembly includes one set of consumables.

†Other work lead options available.

