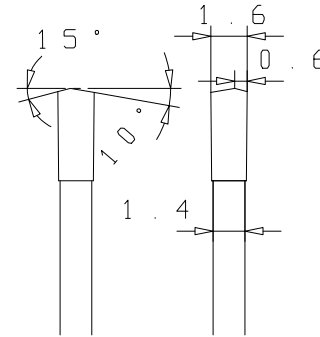
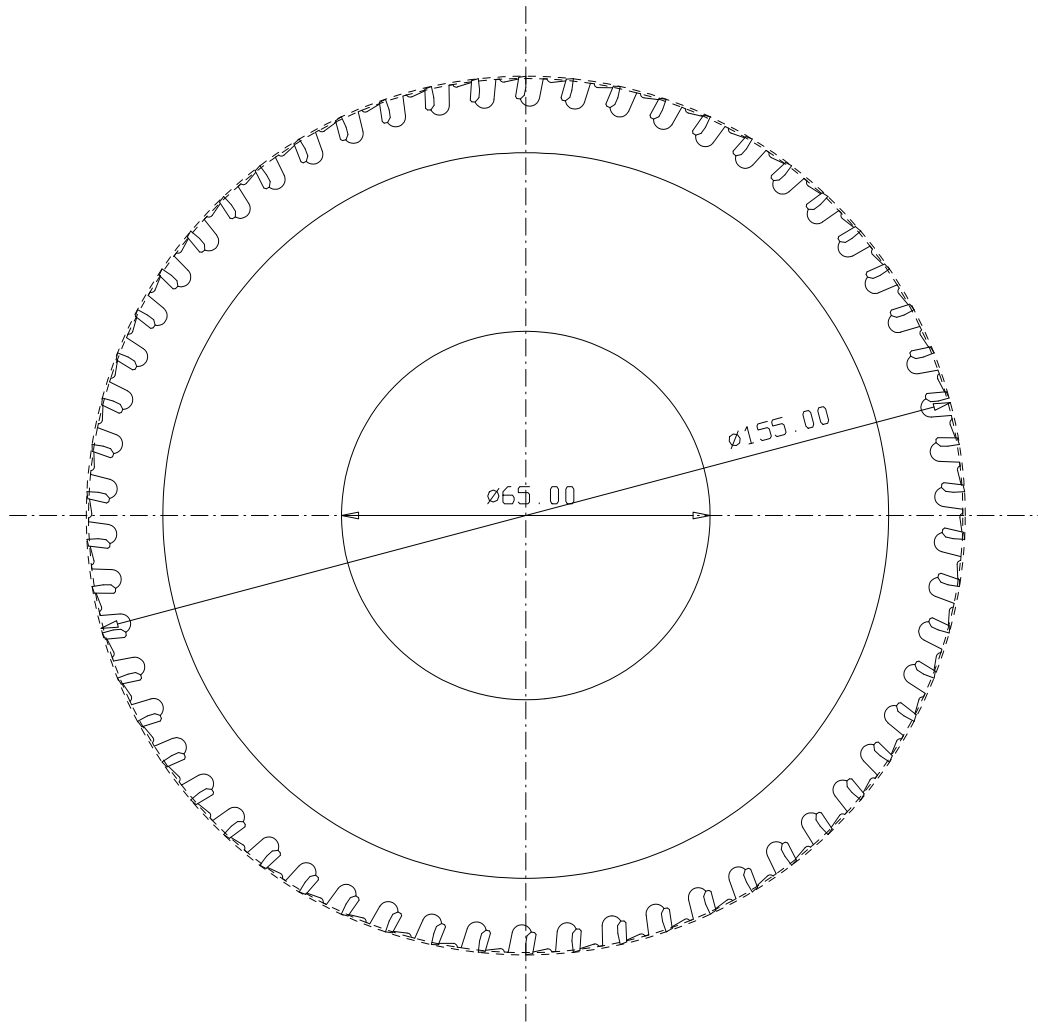
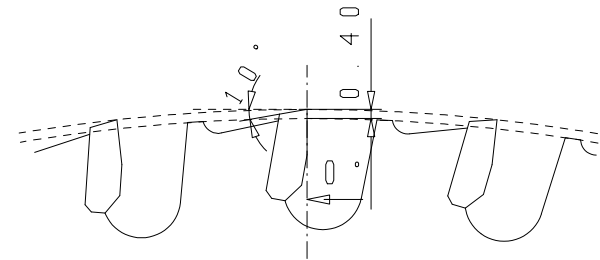



CERMET V155

	DIMENSION	TOLERANCE
DIAMETER	155	±1.5
BORE	65	H8
KERF	1.6	±0.15
TEETH	58	
PLATE	1.4	±0.1



DETAIL FOR PART OF TIP(S×4)



CUSTOMER NAME	Exact tools	ITEM	Cermet V155	SCALE		
DIMENSION	155×1.6×1.4×65×58z	DESIGNER	T·U	1:1 / 1:4		
PLATE MATERIAL	PLATE HARDNESS	DRAWING NUMBER	U-2420	DATE OF DESIGN	2014/3/11	
SAE 1074	HRC 43±3	 IWATA SAW MFG CO.,LTD				