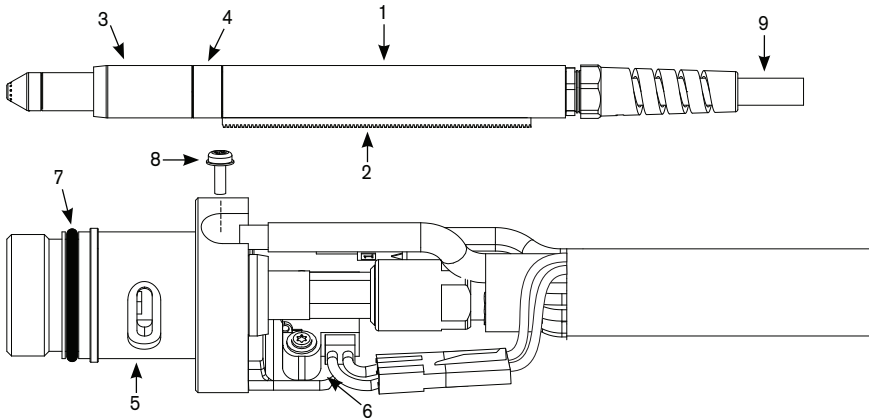


## Duramax 180° and Duramax 180° mini machine torch assemblies



### Duramax 180° torch assembly

Part number	Description
059476*	Duramax 180° machine torch assembly with 4.5 m (15') lead
059477*	Duramax 180° machine torch assembly with 7.6 m (25') lead
059478*	Duramax 180° machine torch assembly with 10.7 m (35') lead
059479*	Duramax 180° machine torch assembly with 15.2 m (50') lead
059480*	Duramax 180° machine torch assembly with 22.8 m (75') lead
1. 228737	Kit: Duramax 180° positioning sleeve
2. 228738	Kit: Duramax 180° removable gear rack
3. 228735	Kit: Duramax 180°/Duramax 180° mini torch front mounting sleeve
4. 228736	Kit: Duramax 180°/Duramax 180° mini torch adapter ring (coupler)
5. 228716	Kit: Duramax 180°/Duramax 180° mini torch main body replacement
6. 228720	Kit: Cap-sensor switch replacement
7. 058519	O-ring
8. 075504	Pilot terminal screw
9. 228730	Kit: Duramax 180°/Duramax 180° mini torch lead replacement, 4.5 m (15')
9. 228731	Kit: Duramax 180°/Duramax 180° mini torch lead replacement, 7.6 m (25')
9. 228732	Kit: Duramax 180°/Duramax 180° mini torch lead replacement, 35' (10. m)
9. 228733	Kit: Duramax 180°/Duramax 180° mini torch lead replacement, 15.2 m (50')
9. 228734	Kit: Duramax 180°/Duramax 180° mini torch lead replacement, 22.8 m (75')
128650	Remote start pendant for machine torch, 7.6 m (25')
128651	Remote start pendant for machine torch, 15.2 m (50')
128652	Remote start pendant for machine torch, 22.8 m (75')
223254†	Kit: 105 A Work lead with hand clamp, 7.6 m (25')

\*Assembly includes one set of mechanized consumables.

†Other work lead options available.

### Duramax 180° mini torch assembly

Part number	Description
059481*	Duramax 180° mini machine torch assembly with 4.5 m (15') lead
059482*	Duramax 180° mini machine torch assembly with 7.6 m (25') lead
059483*	Duramax 180° mini machine torch assembly with 10.7 m (35') lead
059484*	Duramax 180° mini machine torch assembly with 15.2 m (50') lead
3. 228735	Kit: Duramax 180°/Duramax 180° mini torch front mounting sleeve
4. 228736	Kit: Duramax 180°/Duramax 180° mini torch adapter ring (coupler)
5. 228716	Kit: Duramax 180°/Duramax 180° mini torch main body replacement
6. 228720	Kit: Cap-sensor switch replacement
7. 058519	O-ring
8. 075504	Pilot terminal screw
9. 228730	Kit: Duramax 180°/Duramax 180° mini torch lead replacement, 4.5 m (15')
9. 228731	Kit: Duramax 180°/Duramax 180° mini torch lead replacement, 7.6 m (25')
9. 228732	Kit: Duramax 180°/Duramax 180° mini torch lead replacement, 10.7 m (35')
9. 228733	Kit: Duramax 180°/Duramax 180° mini torch lead replacement, 15.2 m (50')
9. 228734	Kit: Duramax 180°/Duramax 180° mini torch lead replacement, 22.8 m (75')
128650	Remote start pendant for machine torch, 7.6 m (25')
128651	Remote start pendant for machine torch, 15.2 m (50')
128652	Remote start pendant for machine torch, 22.8 m (75')
223254†	Kit: 105 A Work lead with hand clamp, 7.6 m (25')

\*Assembly includes one set of mechanized consumables.

†Other work lead options available.

